

GV-EDR1100 Series 1.3MP H.264 Low Lux WDR IR Mini Fixed Rugged IP Dome



- 1/3" progressive scan low lux CMOS
- Dual streams from H.264 and MJPEG
- Up to 30 fps at 1280 x 1024
- Intelligent IR
- Day and Night function (with removable IR-cut filter)
- Vandal resistance (IK10 for metal casing)
- Ingress protection (IP67)
- 2-axis mechanism (pan / tilt)
- Wide Dynamic Range (WDR)
- Defog
- Motion detection
- Tampering alarm
- Text overlay
- Privacy mask
- IP address filtering
- DC 12V / PoE (IEEE 802.3af)
- Megapixel lens
- Recording assigned by GV-Edge Recording Manager (Windows & Mac)
- Supports iPhone, iPad, Android & 3GPP
- 31 languages on Web interface
- ONVIF (Profile S) conformant
- More Storage Option - [NAS](#)

Introduction

The Target Mini Fixed Rugged Dome is an outdoor, fixed, mini-sized network camera equipped with an automatic IR-cut filter and IR LEDs for day and night surveillance. The camera adheres to IK10 and IP67 standards. It is adjustable in 2 axis (pan and tilt) and can be connected through PoE.

Models

| Model | Iris | Focal Length (mm) | Maximum Aperture | Image Format |
|---------------|-------|-------------------|------------------|--------------|
| GV-EDR1100-0F | Fixed | 2.8 | F/2.0 | 1/2.7" |
| GV-EDR1100-2F | Fixed | 3.8 | F/1.8 | 1/2.7" |

Active Tampering Alarm

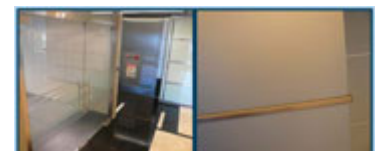
Tampered



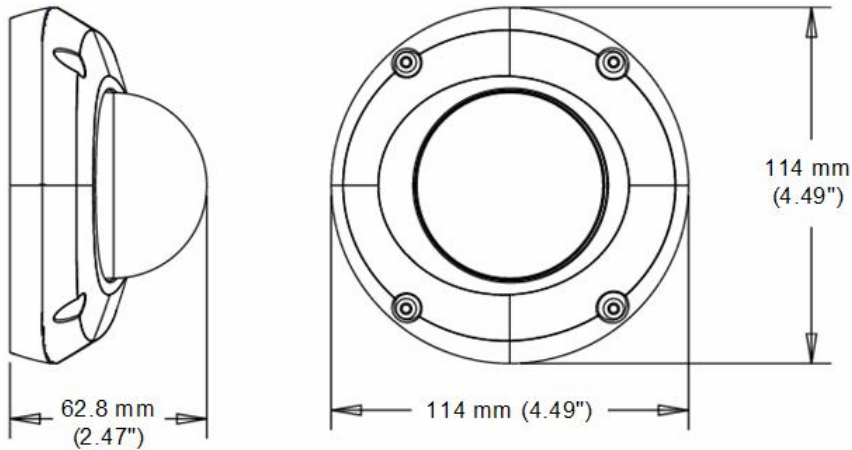
Focus Change



Camera Shift



Dimensions



Specifications

| Camera | | GV-EDR1100-0F | GV-EDR1100-2F |
|----------------------|-------|--|---------------|
| Image Sensor | | 1/3" progressive scan low lux CMOS | |
| Picture Elements | | 1280 (H) x 1024 (V) | |
| Minimum Illumination | Color | 0.05 Lux | |
| | B/W | 0.03 Lux | |
| | IR ON | 0 Lux | |
| Shutter Speed | | Automatic, manual (1/5 ~ 1/8000 sec.) | |
| White Balance | | Automatic, manual (2800K ~ 8500K) | |
| Gain Control | | Automatic | |
| S/N Ratio | | 50 dB | |
| WDR | | Yes | |
| Dynamic Range | | Up to 72 dB | |
| Lens | | | |
| Megapixel | | Yes | |
| Day/Night | | Yes (with removable IR-cut filter) | |
| Focal Length | | 2.8 mm | 3.8 mm |
| Lens Type | | Fixed | |
| Maximum Aperture | | F/2.0 | F/1.8 |
| Mount | | M12, Pitch 0.5 mm | |
| Horizontal FOV | | 93° | 64° |
| Image Format | | 1/2.7" | |
| Operation | Focus | Fixed | |
| | Zoom | Fixed | |
| | Iris | Fixed | |
| IR LED Quantity | | 12 IR LEDs | |
| Max. IR Distance | | 15 m (50 ft) | |
| Operation | | | |
| Video Compression | | H.264, MJPEG | |
| Video Streaming | | Dual streams from H.264 and MJPEG | |
| Frame Rate | | 30 fps at 1280 x 1024 * The frame rate and the performance may vary depending on the number of connections and data bitrates (different scenes). | |
| Image Setting | | Brightness, Contrast, Saturation, Sharpness, Gamma, White Balance, Flicker-less, Image Orientation, Shutter Speed, D/N Sensitivity, Backlight Compensation, WDR, Defog | |
| Audio Support | | N/A | |

| Video Resolution | | |
|-------------------------|--|---------------------------------------|
| Main Stream | 4:3 | 1280 x 960, 640 x 480, 320 x 240 |
| | 16:9 | 1280 x 720, 640 x 360, 448 x 252 |
| | 5:4 | 1280 x 1024, 640 x 512, 320 x 256 |
| Sub Stream | 4:3 | 640 x 480, 320 x 240 |
| | 16:9 | 640 x 360, 448 x 252 |
| | 5:4 | 640 x 512, 320 x 256 |
| Network | | |
| Interface | 10/100 Ethernet | |
| Ethernet Protocol | DHCP, DynDNS, FTP, HTTP, HTTPS, NTP, ONVIF (Profile S), QoS (DSCP), RTSP, SNMP, SMTP, TCP, UDP, UPnP, 3GPP/ISMA | |
| Mechanical | | |
| Camera Angle Adjustment | Pan | -45° ~ 45° |
| | Tilt | 0° ~ 63° |
| Connectors | Power | 2-pin terminal block, PoE |
| | Ethernet | Ethernet (10/100 Base-T), RJ-45 cable |
| LED Indicator | 4 LEDs: Link, ACT, Power, Status | |
| General | | |
| Environment Temperature | Start-up | -20°C ~ 50°C (-4°F ~ 122°F) |
| | Operation | -30°C ~ 50°C (-22°F ~ 122°F) |
| Humidity | 10% to 90% (no condensation) | |
| Power Source | 12V DC / PoE (IEEE 802.3af) | |
| Max. Power Consumption | 5.8 W | |
| Dimension | ø 114 x 62.8 mm (4.49" x 2.47") | |
| Weight | 600 g (1.32 lb) | |
| Ingress Protection | IP67 | |
| Vandal Resistance | IK10 for metal casing | |
| Regulatory | CE, FCC, RCM, RoHS compliant | |
| Power over Ethernet | | |
| PoE Standard | PoE (IEEE 802.3af Power over Ethernet / PD) | |
| PoE Power Supply Type | End-span | |
| PoE Power Output | Per Port 48V DC, 350 mA, Max. 15.4 watts | |
| Web Interface | | |
| Installation Management | Web-based configuration | |
| Maintenance | Firmware upgrade through Web Browser or Utility | |
| Access from Web Browser | Camera Live View, Video Recording, Change Video Quality, Bandwidth Control, Image Snapshot, Audio, Picture in Picture, Picture and Picture, Privacy Mask, Text Overlay, Digital PTZ | |
| Language | Arabic / Bulgarian / Czech / Danish / Dutch / English / Finnish / French / German / Greek / Hebrew / Hungarian / Indonesian / Italian / Japanese / Lithuanian / Norwegian / Persian / Polish / Portuguese / Romanian / Russian / Serbian / Simplified Chinese / Slovakian / Slovenian / Spanish / Swedish / Thai / Traditional Chinese / Turkish | |
| Applications | | |
| Network Storage | GV-System (GV-DVR/NVR), GV-Recording Server, GV-VMS | |
| Smart Device Access | GV-Eye for iOS and Android | |
| Live Viewing | IE, Mobile App | |
| CMS Server support | GV-Control Center, GV-Center V2, GV-Vital Sign Monitor | |


Note: Specifications are subject to change without prior notice.




Packing List

- | | |
|---|--|
| 1. Target Mini Fixed Rugged Dome | 10. Silica Gel Bag x 2 |
| 2. Screw x 2 | 11. Adhesive Tape for Silica Gel Bag x 2 |
| 3. Screw Anchor x 2 | 12. Concave hexagon Wrench |
| 4. Focus Adjustment Ring | 13. Ruler |
| 5. Installation Sticker | 14. Screw for Conduit Converter x 2 |
| 6. Conduit Converter | 15. GV-IPCAM H.264 Software DVD |
| 7. RJ-45 Connector | 16. GV-NVR Software DVD |
| 8. Waterproof rubber set (for RJ45 and DC12V) | 17. Warranty Card |
| 9. Torx Wrench | |

Note: Power adapters can be purchased upon request.

Accessories

| Model No. / Name | Details |
|---|---|
| GV-Mount900 Wall Mount Bracket  | Dimensions: 154 x 108 x 50 mm (6.1" x 4.3" x 2") Weight: 240 g (0.53 lb) |
| GV-Mount909 Wall Mount Bracket  | Dimensions: 170 x 150 x 110 mm (6.7" x 5.9" x 4.3") Weight: 610 g (1.34 lb) |
| GV-Mount910 Power Box Mount Bracket  | Dimensions: 112 x 98 x 7.5 mm (4.4" x 3.9" x 0.3") Weight: 105 g (0.23 lb) |
| GV-Mount913 Power Box Mount Bracket  | Dimensions: \varnothing 146 x 7.5 mm (\varnothing 5.7" x 0.3") Weight: 180 g (0.4 lb) |

| Model No. / Name | Details |
|---|--|
| GV-Mount918 Wall Mount Bracket for MFD/MDR/efd/EDR | Dimensions: Ø 145 x 117 x 96 mm (Ø 5.71 x 4.60 x 3.78") Weight: 350 g (0.77 lb) |
|  | |
| GV-PA191 PoE Adapter | Dimensions (H x W x D): 43 x 69 x 40 mm (1.69" x 2.72" x 1.57") Weight: 130 g (0.29 lb) |
|  | |
| Plastic PG21 Conduit Connector | The plastic PG21 conduit connector is used for running the wires of the camera through a 1/2" conduit pipe. |
|  | |
| Power Adapter | Contact your sales representative for the countries and areas supported. |
| GV-POE Switch | The GV-POE Switch is designed to provide power along with network connection for IP devices. The GV-POE Switch is available in various models with different numbers and types of ports. |